



SWX200

Bronze Marine Pump

2" x 2" End Suction Centrifugal Pump

Manufactured in investment cast Nickel Aluminum Bronze CA954, the SWX series of pumps were designed for applications pumping seawater.

The pumps are equipped with enclosed impellers standard to ensure optimum efficiency and low HP ratings. The integral impeller sleeve eliminates exposure of the motor shaft. Type 52 Silicon Carbide/Silicon Carbide/Viton mechanical seal offers excellent resistance to harsh seawater applications. The volute is sealed with a viton o-ring.

All pumps are close coupled to 60/50 HZ TEFC motors with IP (Ingress Protection) rating of IP44 (single phase) to 55 (three phase) compliant with ISO8846 marine ignition duty.

The pump also meets CE and EU requirements.

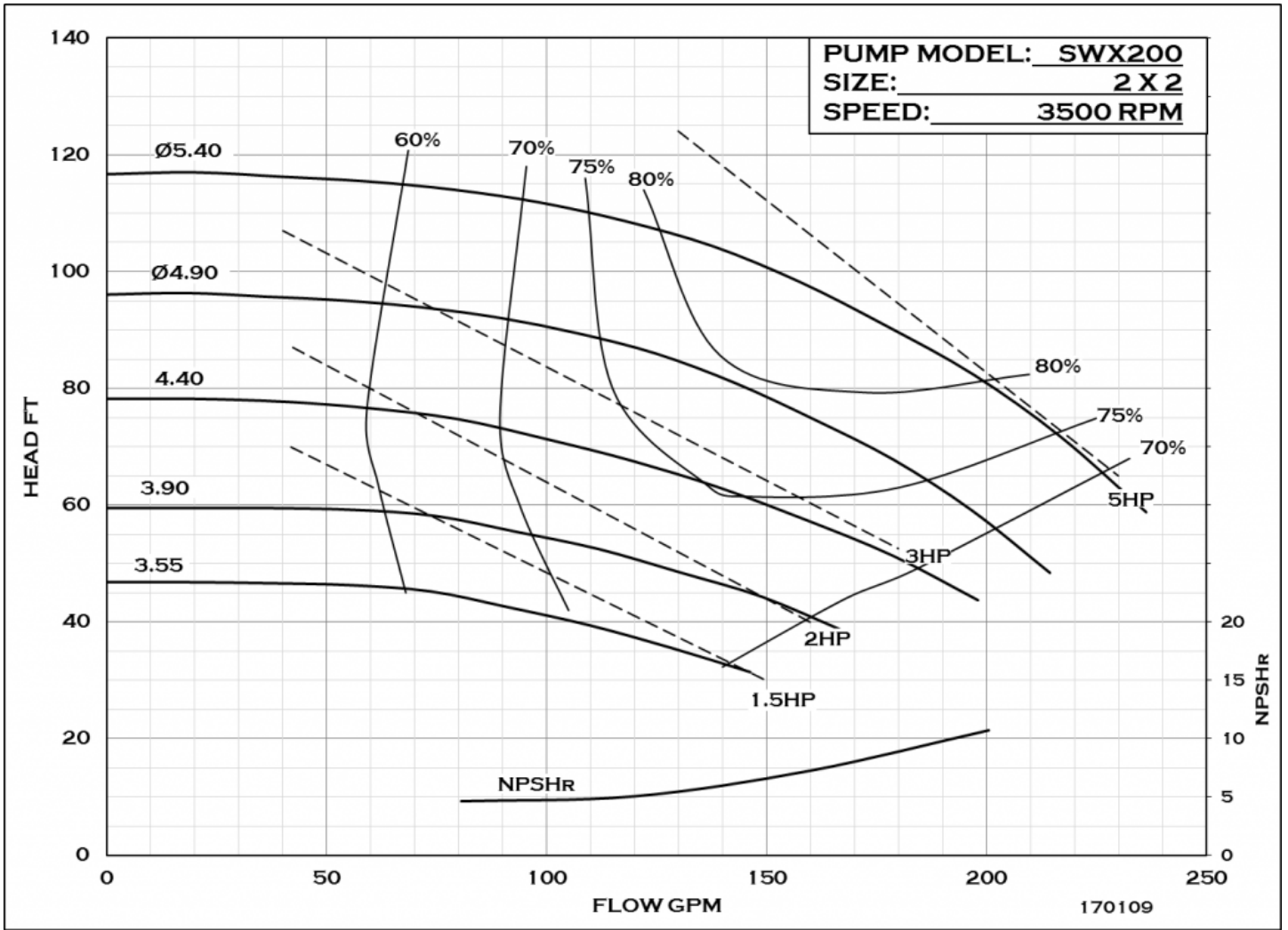


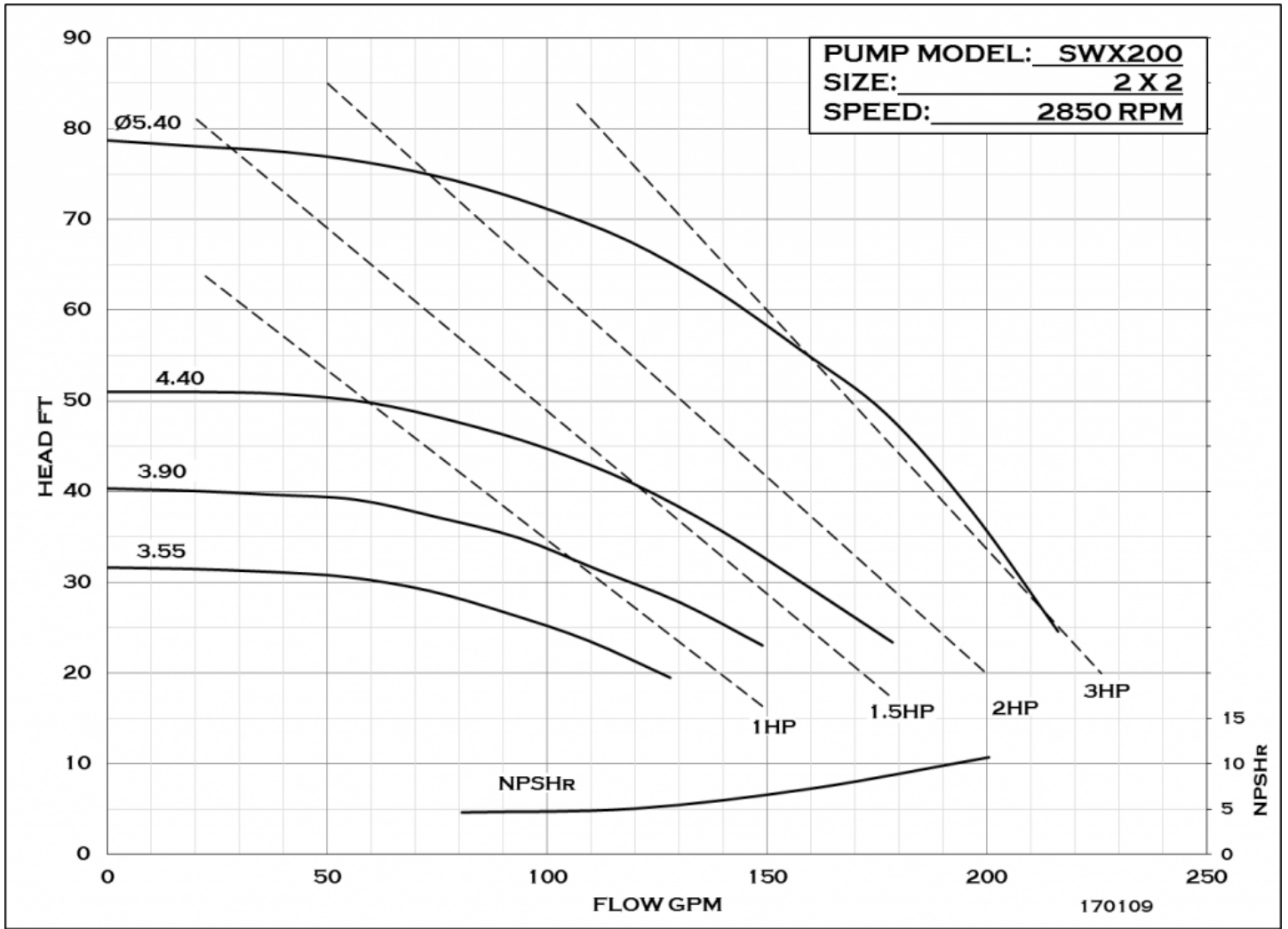
Application

- Marine

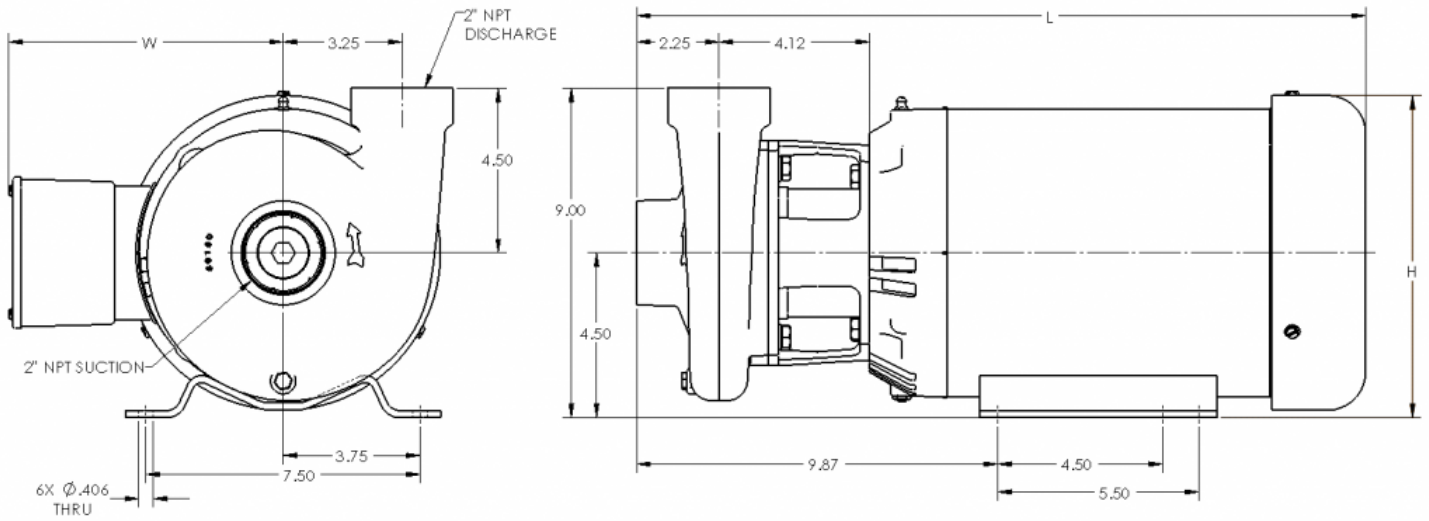
SPECIFICATIONS:

Suction And Discharge	2.0" x 2.0" NPT
Materials Of Construction	316 SS, Bronze
Impeller	Balanced to meet ISO1940-1 G6.3 for optimum efficiency
O Ring	Viton
Seal	T-52 Sil. Carbide/Sil. Carbide/Viton/316SS
Motor	145/184JM TEFC, CE, 60/50 HZ, IP44 to meet ISO8846 marine ignition duty
And CE Reqs.	Array
Or Shaft	Array





SWX200



ITEM NO.	PART NO.	DESCRIPTION	QTY
1	36355	PIPE PLUG, BRONZE 1/8" NPT	1
2	50151	HOUSING	1
3	50153	SEAL BOLT	1
4	50158	O-RING, VITON AS-568-024	1
5	50155	IMPELLER 5.4	1
	50489	IMPELLER 4.9	1
	50225	IMPELLER 4.4	1
	50226	IMPELLER 3.9	1
	50227	IMPELLER 3.65	1
6	26588	SQUARE KEY	1
7	26461	SEAL ASSEMBLY, SIL. CARBIDE/SIL.CARBIDE	1
8	50157	ADAPTER	1
9	50447	MOTOR, 7.5 HP-3 PH 184JM TEFC	1
	50160	MOTOR, 5 HP-3 PH 184JM TEFC	1
	50222	MOTOR, 3 HP-3 PH 184JM TEFC	1
	50223	MOTOR, 2 HP-3 PH 145JM TEFC	1
	50224	MOTOR, 1.5 HP-3 PH 145JM TEFC	1
10	50214	SHAFT GUARD, PVC	1
11	25663	CAPSCREW 3/8-16 x 3/4 304 SS	8
12	21266	LOCKWASHER 3/8 x 1/8 304 SS	4
13	50159	O-RING, VITON AS-568-252	1

