



ILX

1" x 1" Centrifugal Transportation Circulator

The ILX is designed for inline liquid booster applications of water or coolant. Cost effective design with splash / weather proof 12 VDC brushed motor.

SPECIFICATIONS:

Suction And Discharge	1" x 1" hose, Optional nozzle inside diameter tapped for 1/2" female NPT connections
Materials Of Construction	Aluminum
Flow	Up to 12 GPM
Head Feet	Up to 17'
Impeller	2.5" semi-open nickel steel
Drive Options	12V DC brushed electric motor
Seal	Carbon / Ceramic / Viton
Base	Stamped steel with (4) vibration isolating grommets
Temperature	Operation in ambient temperatures up to 200°F, Use with fluids to 220°F and sustained fluid temps up to 210°F

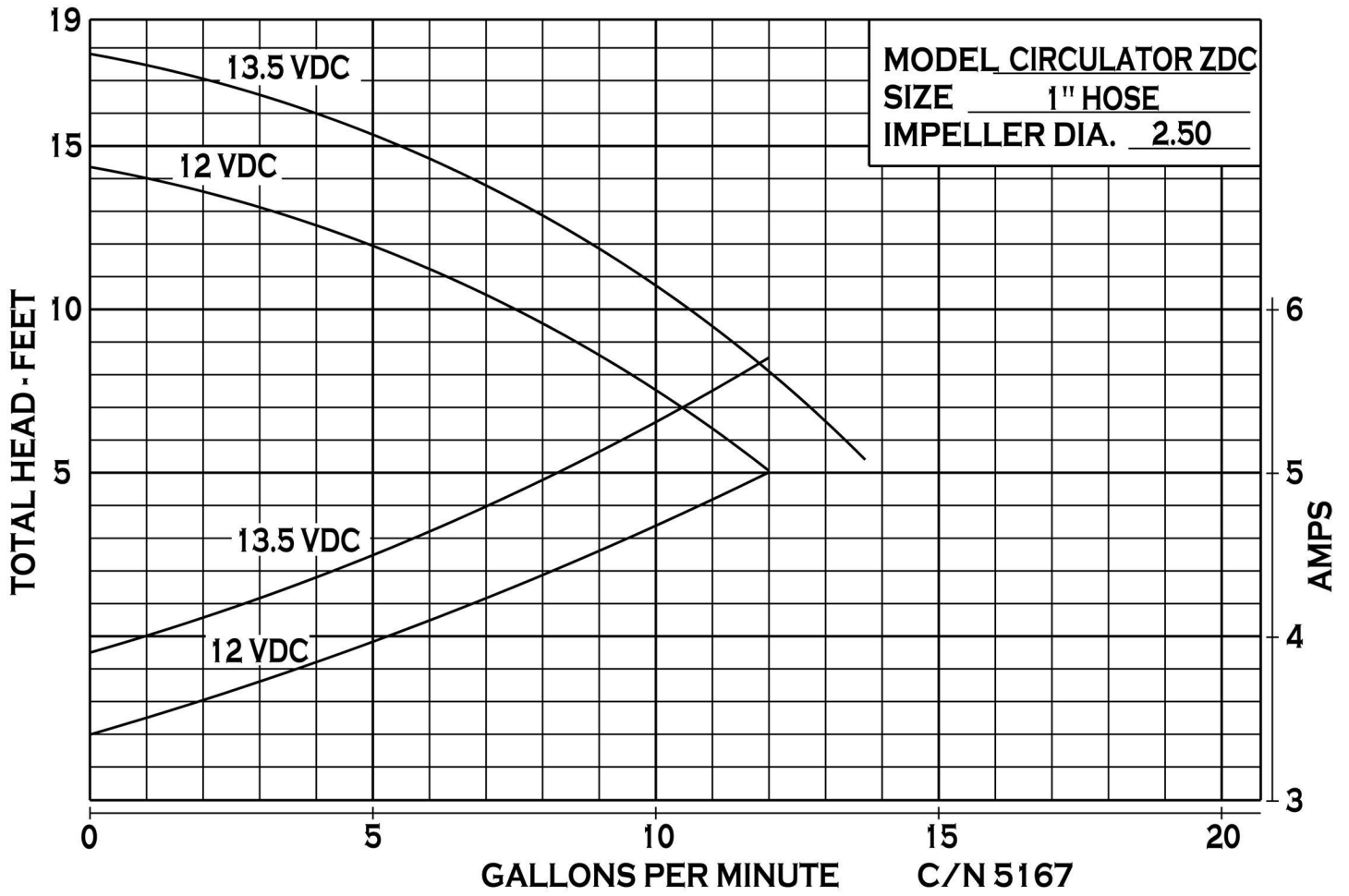


Application

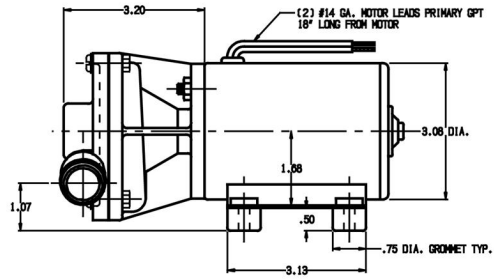
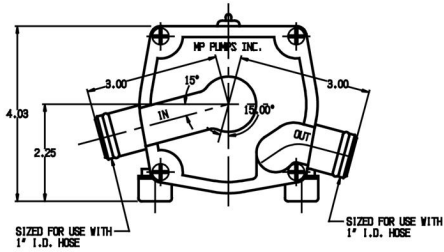
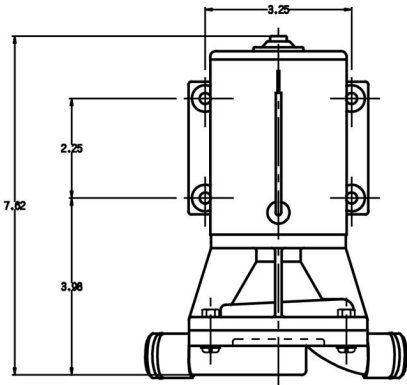
- Agricultural
- Commercial
- Industrial
- Marine
- OEM
- Transportation

Features

- Convenient inline volute design
- Dual 18" long 14 AWG red (positive) black (negative) power leads
- Splash and weather resistant enclosure



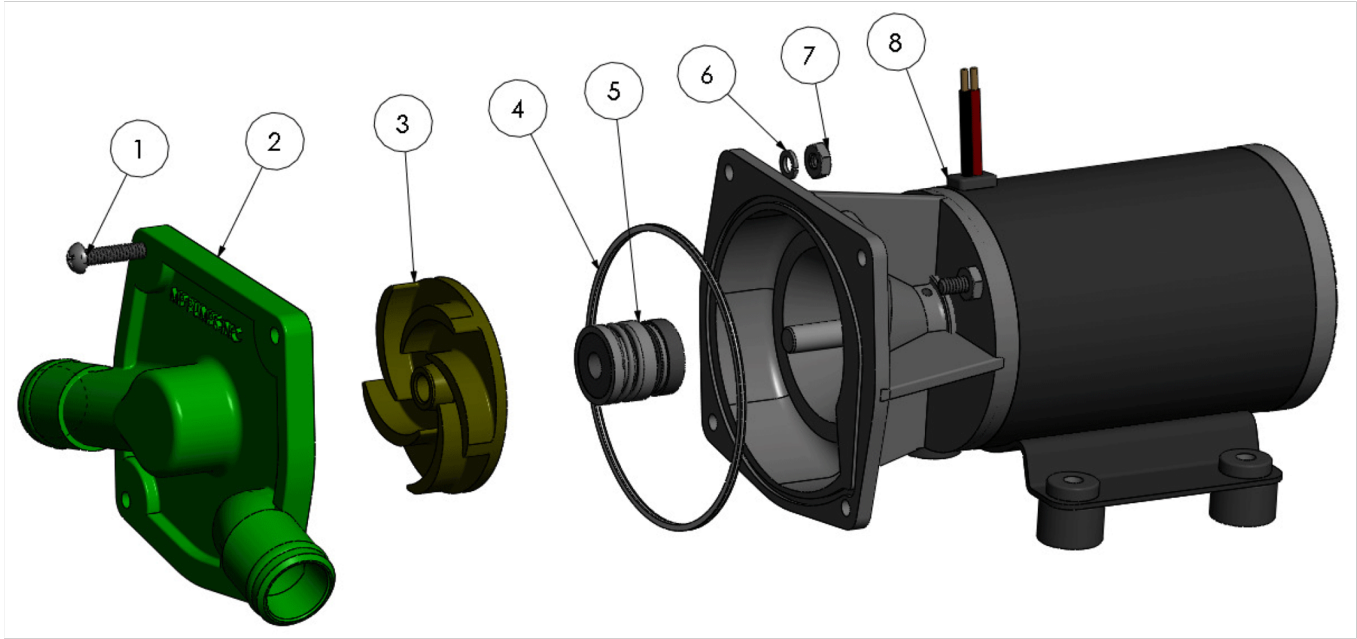
34310



NOTES:
 MOTOR:
 12 VDC SYSTEM
 13.5 VDC OPERATION
 4.5 - 6.0 AMPS
 4,000 - 6,000 HOURS BRUSH LIFE
 PUMP:
 10 G.P.M. @ 4.5 P.S.I.
 MATERIALS:
 ADAPTER - ALUMINUM
 COVER - ALUMINUM
 IMPELLER - SINTERED NICKEL STEEL
 SEAL - CARBON, CERAMIC, STAINLESS & BUNA
 30 P.S.I. MAXIMUM OPERATING PRESSURE
 220° F. MAXIMUM TEMPERATURE

REV									
1									
2									
3									
4									
5									
6									
7									
8									
9									
10									
11									
12									
13									
14									
15									
16									
17									
18									
19									
20									
21									
22									
23									
24									
25									
26									
27									
28									
29									
30									
31									
32									
33									
34									
35									
36									
37									
38									
39									
40									
41									
42									
43									
44									
45									
46									
47									
48									
49									
50									
51									
52									
53									
54									
55									
56									
57									
58									
59									
60									
61									
62									
63									
64									
65									
66									
67									
68									
69									
70									
71									
72									
73									
74									
75									
76									
77									
78									
79									
80									
81									
82									
83									
84									
85									
86									
87									
88									
89									
90									
91									
92									
93									
94									
95									
96									
97									
98									
99									
100									

MP PUMPS, INC.
 34310
 DO NOT SCALE
 CIRCULATOR PUMP 12 VDC 34310



PART NO.	ITEM NO.	DESCRIPTION	QTY.	PART NO.	ITEM NO.	DESCRIPTION	QTY.
34300	1	CAPSCREW ZPS - #10-24 X 7/8 LG.	4	21621	6	LOCKWASH S.S. - #10	4
34306	2	VOLUTE COVER A	1	31767	7	HEXNUT S.S. - #10-24	4
21587	3	IMPELLER STL. - Ø2.5	1	34307	8	ELE MOTOR 12 VDC W/ADAPT.	1
* 34301	4	QUAD RING - BUNA	1				
* 28984	5	SEAL ASSY. - TYPE 16	1				

* - RECOMMENDED REPLACEMENT PARTS